

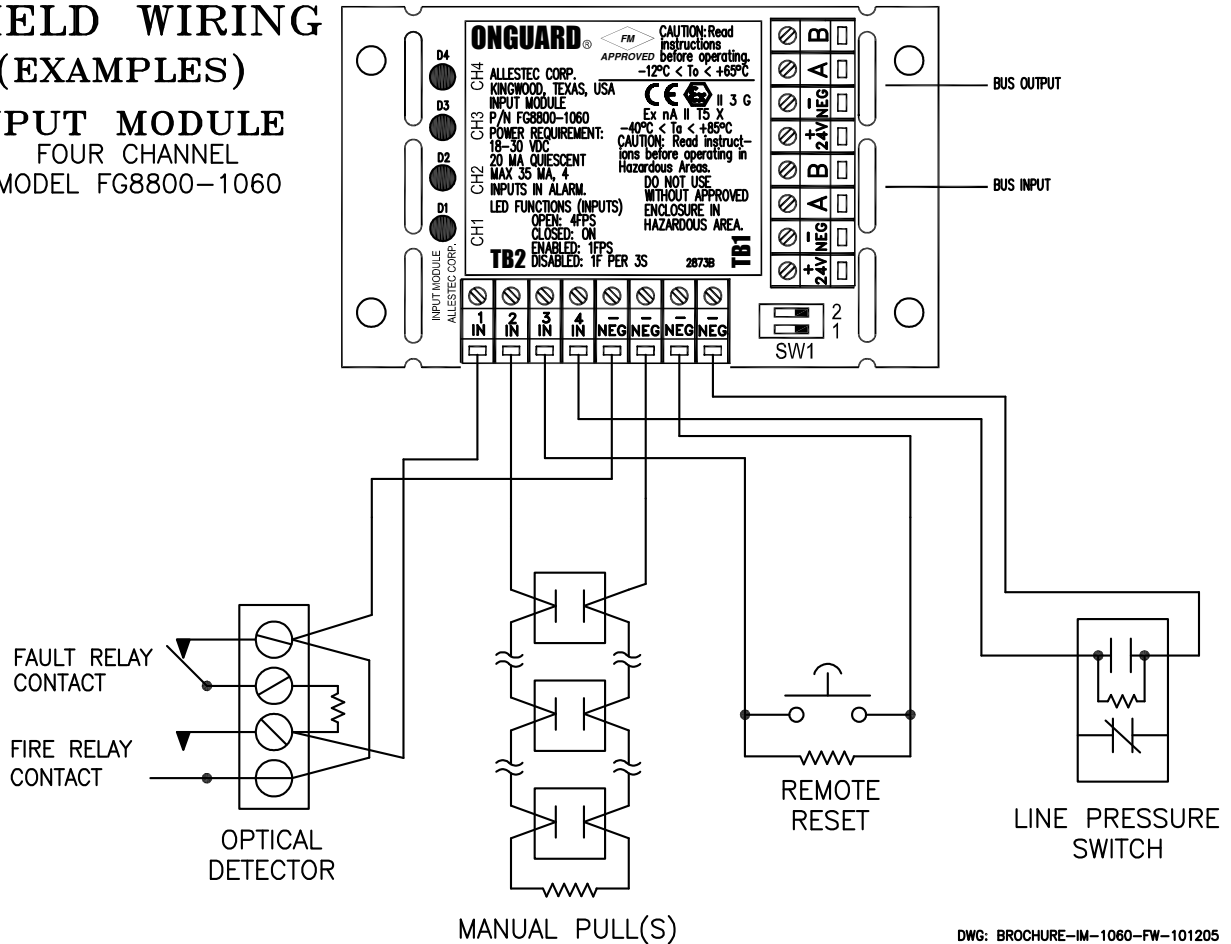
ONGUARD®

FG8800 GAS/FIRE CONTROL PANEL

**FG8800-1060 ADDRESSABLE FIELD NODE
MONITORS FOUR CHANNELS OF CONTACT INPUTS**

FIELD WIRING (EXAMPLES)

**INPUT MODULE
FOUR CHANNEL
MODEL FG8800-1060**



DWG: BROCHURE-IM-1060-FW-101205

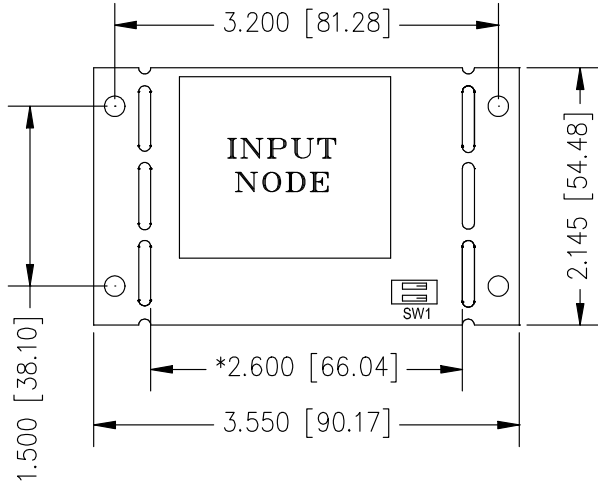
The FG8800-1060 microprocessor based input node accommodates and monitors four independent contact inputs from various field devices. There is an LED for each channel that indicates the real time status of each monitored contact. For local observation, the node LED channel will latch if a contact closure temporarily occurred. Each channel has its own unique address and can be treated as an individual input for the system. Disabled or unused channels do not require an ELR. The choice to disable any channel is implemented through the program. The node and its field wiring are continuously supervised and interrogated through the control panel.

REPRESENTED BY:

ALLESTEC CORPORATION

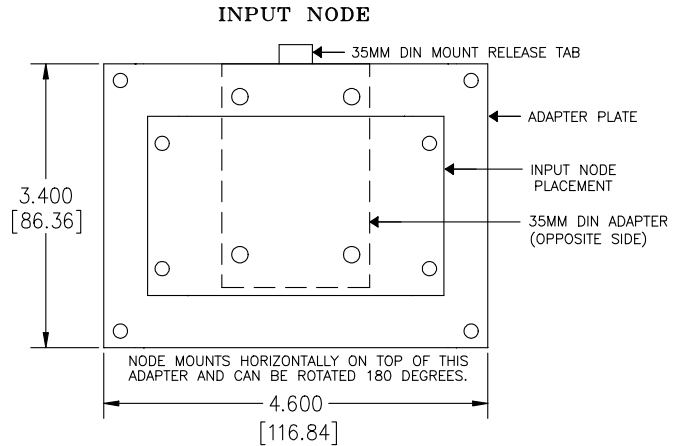
810 RUSSELL PALMER ROAD, KINGWOOD, TEXAS 77339
P.O. BOX 6092 KINGWOOD, TEXAS 77325
PHONE: 281-359-1519 FAX: 281-359-2085
WEB: ALLESTEC.COM EMAIL: INFO@ALLESTEC.COM

NODE MOUNTING DIMENSIONS



MODEL FG8800-1060 INPUT NODE

35MM NODE DIN ADAPTER (OPTION)



NODE NOTES:

1. 4 MOUNTING HOLE DIAMETERS, .170" [4.32].
2. * FOR CONSTRAINT AREAS, ALLESTEC CAN REMOVE END TABS ALLOWING NODE TO ACCOMMODATE A STANDARD 1 GANG ELECTRICAL SWITCH BOX.
3. NODE MAXIMUM DEPTH = .9" [22.86].
4. TOLERANCES ARE +/- .005 [.127].

ADAPTER NOTES:

1. NODE CAN BE ROTATED ON THE ADAPTER 180 DEGREES TO ACCOMMODATE TERMINAL STRIP POSITION.

SPECIFICATIONS

ELECTRICAL

NODE OPERATING VOLTAGE:	18 – 30 VDC provided to the control panel
INPUT NODE CURRENT RATING @ 24VDC:	20mA quiescent, 35mA maximum
PRINTED CIRCUIT BOARD:	FR4 fiberglass UL rated 94V-0, 2 oz copper, SMOBC, MIL-PRF-55110F
RF SHEILDING / EMISSIONS:.....	Meets Factory Mutual Class A/S 3260

MECHANICAL

DIMENSIONS:	Refer to above drawing
WEIGHT:	2.8 oz, 80g

ENVIRONMENT

NODE OPERATING AMBIENT TEMPERATURE:	0 degrees F to 150 degrees F, -17 degrees C to 65 degrees C, 90% humidity non-condensing
PACKAGING AND EXPOSURE:	NEMA 1

NODE ORDERING PART NUMBER

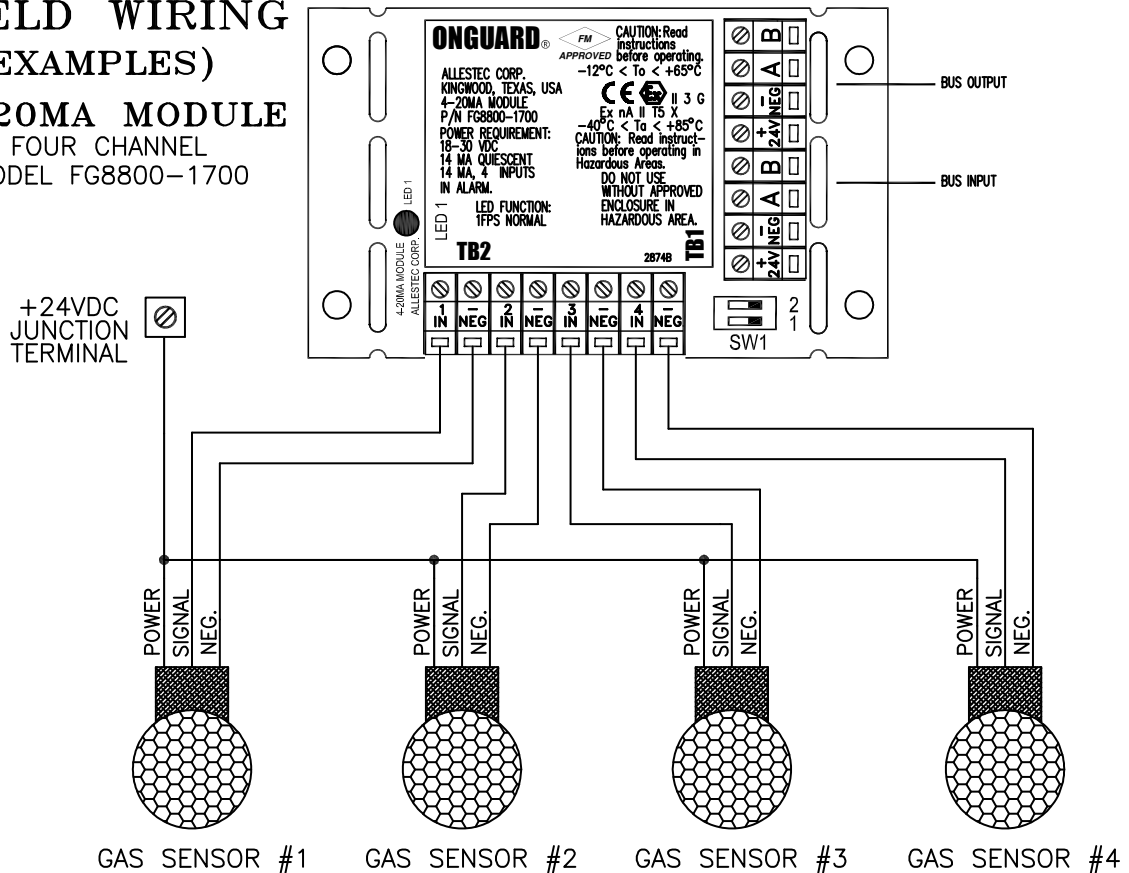
FG8800-1060

APPROVALS



FG8800-1700 ADDRESSABLE FIELD NODE FOUR CHANNEL 4-20MA INPUTS

FIELD WIRING (EXAMPLES) 4-20MA MODULE FOUR CHANNEL MODEL FG8800-1700



DWG: BROCHURE-GM-1700-FW-101205

The FG8800-1700 4-20MA microprocessor based node accommodates four independent gas sensors. The node contains an LED that blinks for power on status. Each channel has its own unique address and can be treated as an individual input for the system. Color bar graphs indicate the gas concentration levels at the control panel. Real time %LFL and loop current measurement are also displayed on the screen. Each channel accommodates three set point thresholds. The choice to disable any channel is implemented through the program. The node and its associated field wiring are continuously supervised and interrogated through the control panel.

REPRESENTED BY:

ALLESTEC CORPORATION

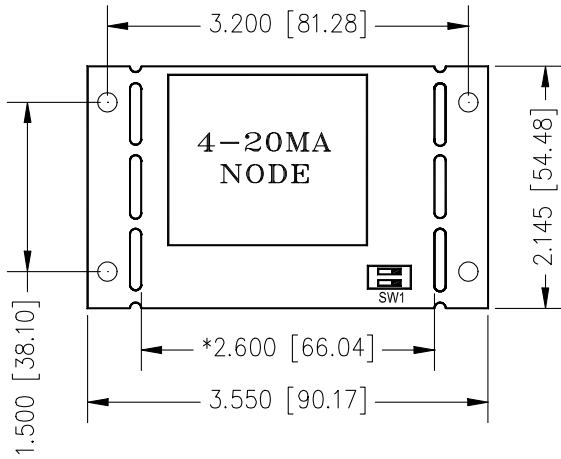
810 RUSSELL PALMER ROAD, KINGWOOD, TEXAS 77339

P.O. BOX 6092 KINGWOOD, TEXAS 77325

PHONE: 281-359-1519 FAX: 281-359-2085

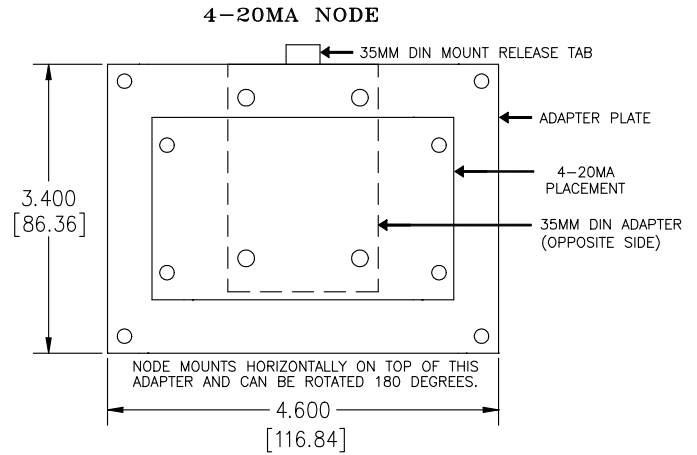
WEB: ALLESTEC.COM EMAIL: INFO@ALLESTEC.COM

NODE MOUNTING DIMENSIONS



MODEL FG8800-1700 4-20MA NODE

35MM NODE DIN ADAPTER (OPTION)



NODE NOTES:

1. 4 MOUNTING HOLE DIAMETERS, .170" [4.32].
2. * FOR CONSTRAINT AREAS, ALLESTEC CAN REMOVE END TABS ALLOWING NODE TO ACCOMMODATE A STANDARD 1 GANG ELECTRICAL SWITCH BOX.
3. NODE MAXIMUM DEPTH = .9" [22.86].
4. TOLERANCES ARE +/- .005 [.127].

ADAPTER NOTES:

1. NODE CAN BE ROTATED ON THE ADAPTER 180 DEGREES TO ACCOMMODATE THE TERMINAL STRIP POSITION.

SPECIFICATONS

ELECTRICAL

NODE OPERATING VOLTAGE:	18 – 30 VDC provided to the control panel
4-20MA NODE CURRENT RATING @ 24VDC:	14mA
DISPLAY & REGISTER RESOLUTION @ FULL SCALE: ...	1024 bits
PRINTED CIRCUIT BOARD:	FR4 fiberglass UL RATED 94V-0, 2 oz copper, SMOBC, MIL-PRF-55110F
RF SHEILDING / EMISSIONS:	Meets Factory Mutual Class A/S 3260

MECHANICAL

DIMENSIONS:	Refer to above drawing
WEIGHT:	2.8 oz, 80g

ENVIRONMENT

NODE OPERATING AMBIENT TEMPERATURE:	0 degrees F to 150 degrees F, -17 degrees C to 65 degrees C, 90% humidity non-condensing
PACKAGING AND EXPOSURE:	NEMA 1

NODE ORDERING PART NUMBER

FG8800-1700

APPROVALS

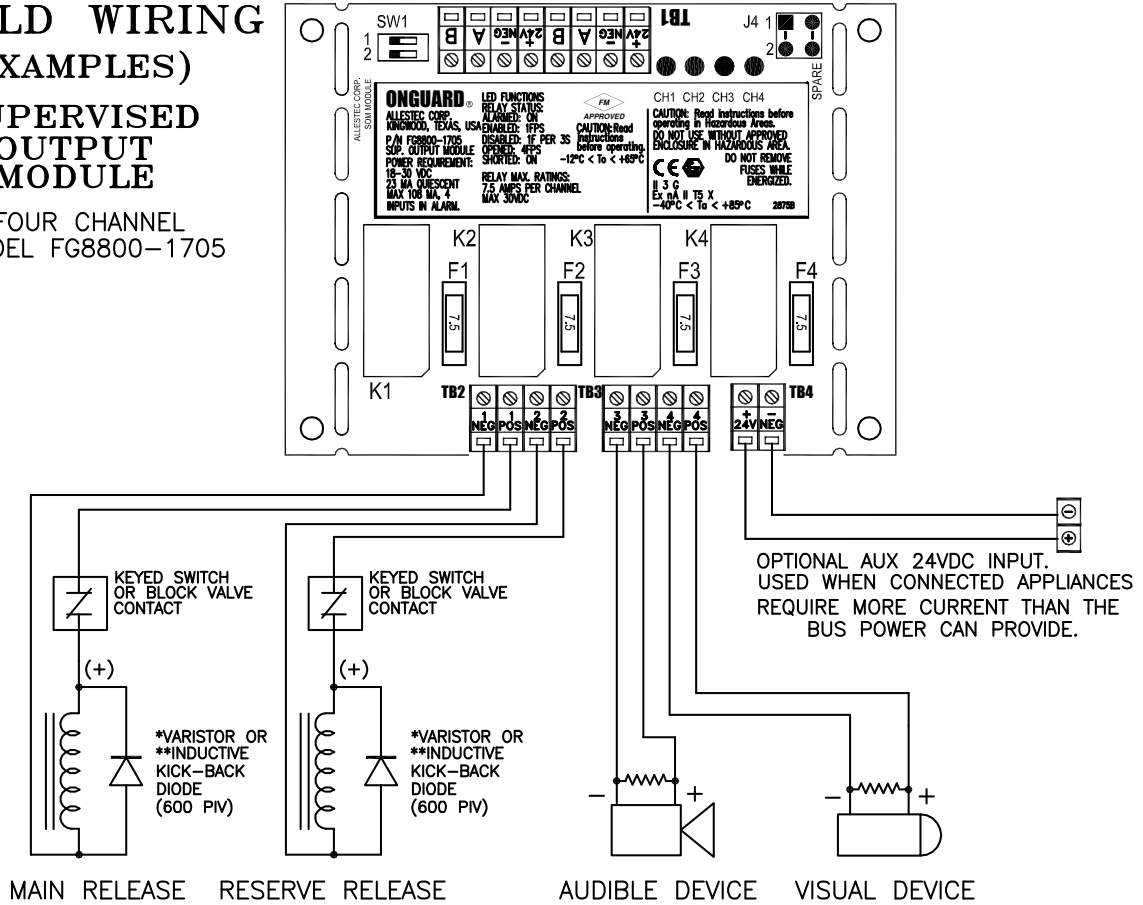


FG8800-1705 ADDRESSABLE FIELD NODE FOUR CHANNEL SUPERVISED OUTPUTS

FIELD WIRING (EXAMPLES)

SUPERVISED OUTPUT MODULE

FOUR CHANNEL
MODEL FG8800-1705



DWG: BROCHURE-SOM-1705-FW-101205

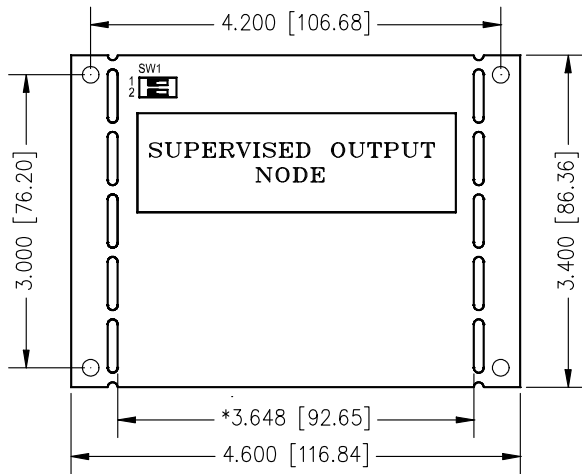
The FG8800-1705 is a heavy duty, 7.5 amps per channel, microprocessor based supervised output module (SOM). The node provides four independent appliance outputs to various devices. LED's on each channel indicate the real time status of the relay output. Each channel has its own unique address and can be treated as an individual output for the system. Disabled or unused channels do not require an ELR. The choice to disable any channel is implemented through the program. The node and its field wiring are continuously supervised and interrogated through the control panel.

REPRESENTED BY:

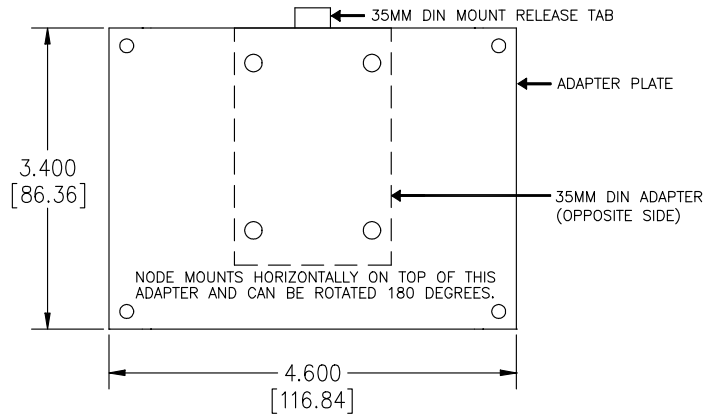
ALLESTEC CORPORATION

810 RUSSELL PALMER ROAD, KINGWOOD, TEXAS 77339
 P.O. BOX 6092 KINGWOOD, TEXAS 77325
 PHONE: 281-359-1519 FAX: 281-359-2085
 WEB: ALLESTEC.COM EMAIL: INFO@ALLESTEC.COM

NODE MOUNTING DIMENSIONS



35MM NODE DIN ADAPTER (OPTION) SUPERVISED OUTPUT NODE



MODEL FG8800-1705 SUPERVISED OUTPUT NODE

NODE NOTES:

1. 4 MOUNTING HOLE DIAMETERS, .170" [4.32].
2. * FOR CONSTRAINT AREAS, ALLESTEC CAN REMOVE END TABS ALLOWING NODE TO ACCOMMODATE A 4-0 ELECTRICAL JUNCTION BOX.
3. NODE MAXIMUM DEPTH = 1.3" [33.02].
4. TOLERANCES ARE +/- .005 [.127].

ADAPTER NOTES:

1. NODE CAN BE ROTATED ON THE ADAPTER 180 DEGREES TO ACCOMMODATE THE TERMINAL STRIP POSITION.

SPECIFICATONS

ELECTRICAL

NODE OPERATING VOLTAGE:	18 – 30 VDC provided to the control panel
SOM CURRENT RATING @ 24VDC:	23mA quiescent, 108mA maximum
RELAY OUTPUT CURRENT SOURCING:	7.5 amps per channel @ 24VDC
PRINTED CIRCUIT BOARD:	FR4 fiberglass UL rated 94V-0, 2 oz copper, SMOBC MIL-PRF-55110F
RF SHEILDING / EMISSIONS:	Meets Factory Mutual Class A/S 3260

MECHANICAL

DIMENSIONS:	Refer to above drawing
WEIGHT:	6.5 oz, 185g

ENVIRONMENT

NODE OPERATING AMBIENT TEMPERATURE:	0 degrees F to 150 degrees F, -17 degrees C to 65 degrees C, 90% humidity nod-condensing
PACKAGING AND EXPOSURE:	NEMA 1

NODE ORDERING PART NUMBER

FG8800-1705

APPROVALS



ONGUARD®

FG8800 GAS/FIRE CONTROL PANEL

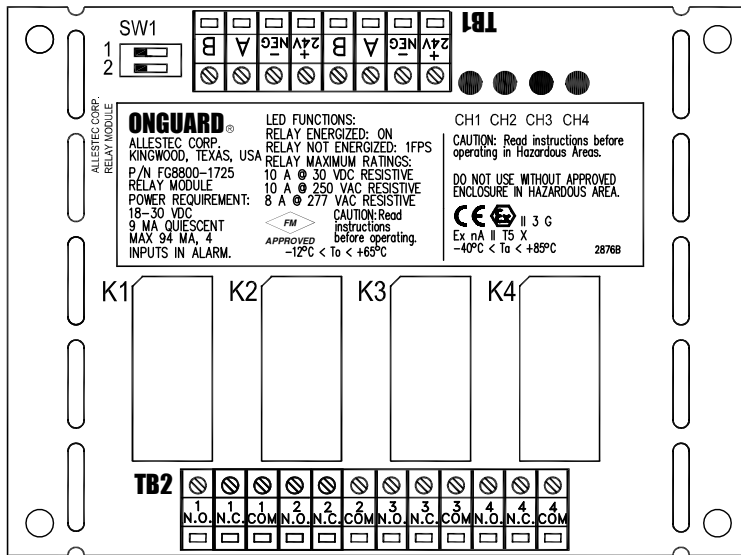
FG8800-1725 ADDRESSABLE FIELD NODE FOUR CHANNEL HEAVY DUTY CONTACT OUTPUTS

FIELD WIRING CONNECTIONS

RELAY
MODULE

BUS CONNECTIONS

FOUR CHANNEL
MODEL FG8800-1725



FIELD DEVICE CONNECTIONS
RELAYS ARE DRY CONTACT SPDT (FORM C)

DWG: DRAWING BROCHURE-RM-1725-FW-101205

APPLICATIONS:

- CONTROL VALVES
- AIR DAMPERS
- AIR VENTILATORS
- ELECTRIC GATES
- AREA LIGHTING
- ELECTRIC MOTORS
- PLC SIGNALING
- ELECTRIC VALVES
- ELECTRIC PUMPS
- EMERGENCY SHUTDOWN
- REMOTE ANNUNCIATION
- EMERGENCY LIGHTING
- AUXILIARY FUNCTIONS

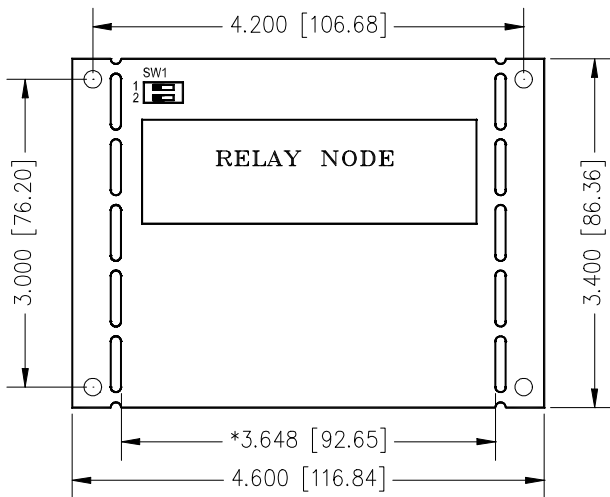
The FG8800-1725 heavy duty, 10 amps per channel, microprocessor based relay node provides four independent form C dry contacts to various field devices. The node contains an LED for each channel that indicates the real time status of each relay output. For local observation, the node LED channel will turn on steady when a relay changes state. Each channel has its own unique address and can be treated as an individual output for the system. The node is continuously supervised and interrogated through the control panel for supervision.

REPRESENTED BY:

ALLESTEC CORPORATION

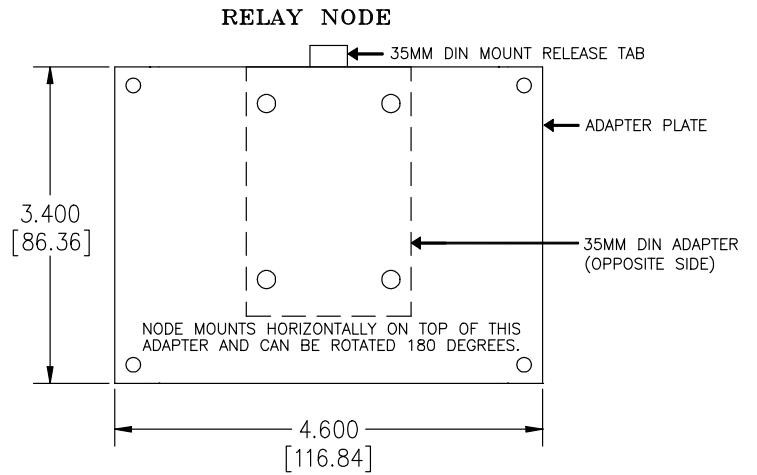
810 RUSSELL PALMER ROAD, KINGWOOD, TEXAS 77339
P.O. BOX 6092 KINGWOOD, TEXAS 77325
PHONE: 281-359-1519 FAX: 281-359-2085
WEB: ALLESTEC.COM EMAIL: INFO@ALLESTEC.COM

NODE MOUNTING DIMENSIONS



MODEL FG8800-1725 RELAY NODE

35MM NODE DIN ADAPTER (OPTION)



NODE NOTES:

1. 4 MOUNTING HOLE DIAMETERS, .170" [4.32].
2. * FOR CONSTRAINT AREAS, ALLESTEC CAN REMOVE END TABS ALLOWING NODE TO ACCOMMODATE A 4-0 ELECTRICAL JUNCTION BOX.
3. NODE MAXIMUM DEPTH = 1.3" [33.02]
4. TOLERANCES ARE +/- .005 [.127]

ADAPTER NOTES:

1. NODE CAN BE ROTATED ON THE ADAPTER 180 DEGREES TO ACCOMMODATE TERMINAL STRIP POSITION.

SPECIFICATIONS

ELECTRICAL

NODE OPERATING VOLTAGE:	18 – 30 VDC provided to the control panel
RELAY NODE MAXIMUM CURRENT:	9mA quiescent, 94mA maximum
RELAY OUTPUT MAXIMUM RATINGS:	10 amps @ 30VDC or 250VAC or 8 amps @ 277VAC
PRINTED CIRCUIT BOARD:	FR4 fiberglass UL rated 94V-0, 2 oz copper, SMOBC MIL-PRF-55110F
RF SHEILDING / EMISSIONS:	Meets Factory Mutual Class A/S 3260

MECHANICAL

DIMENSIONS:	Refer to above drawing
WEIGHT:	6.8 oz, 193 g

ENVIRONMENT

NODE OPERATING AMBIENT TEMPERATURE:	0 degrees F to 150 degrees F, -17 degrees C to 65 degrees C, 90% humidity non-condensing
PACKAGING AND EXPOSURE:	NEMA 1

NODE ORDERING PART NUMBER

FG8800-1725

APPROVALS

